

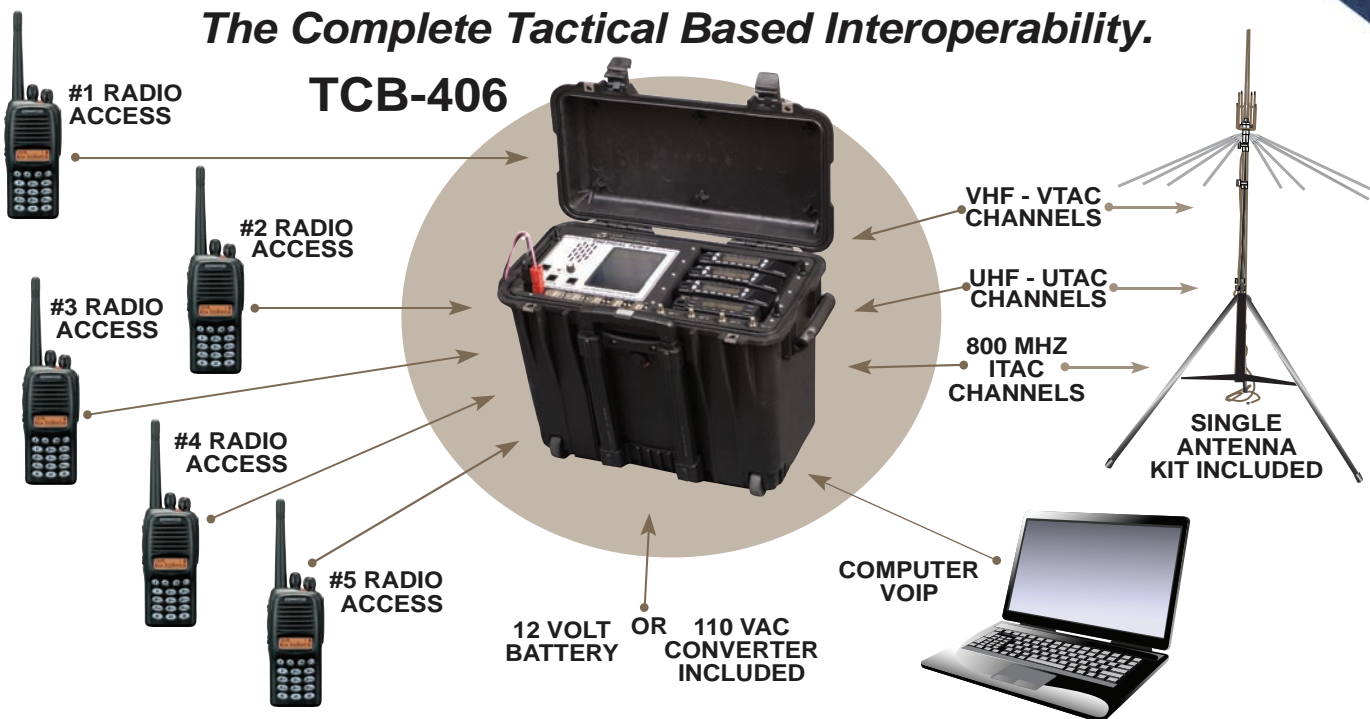
Small, Portable, Powerful,
Rugged & Always Ready!

TCB-406

The complete tactical based interoperability solution. Seamless interoperability with up to five independent radios or communications devices, including cell phones, IP phones, land lines, and nearly any two way radio. Using prefabricated cables, devices can directly connect to a physical port.

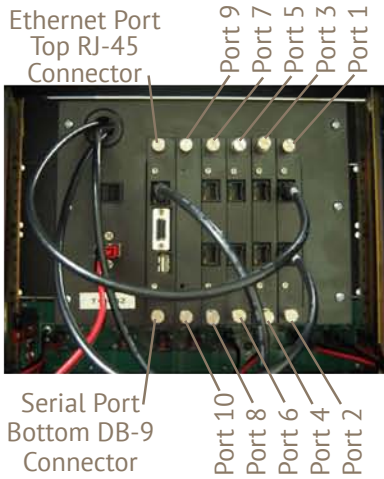
ONE SYSTEM SOLUTION! The Complete Tactical Based Interoperability.

TCB-406



- Rugged, waterproof rolling case for easy portability.
- LCD Touch-Screen, for field configuration, port monitoring & radio control.
- DTMF control allows remote operation.
- Adjustable VOX detector. Non-VOX based COR inputs.
- Adaptive audio delay, no missing transmissions.
- Radio database, RS-232 serial & Ethernet connectors for easy interfacing.
- Digital voice storage for simplex repeater operation.

TCB-406



TCB-406 10 PORT UNIT
Port 1 Front Panel Operations



TCB-406 SPECIFICATIONS

POWER & TEMP

Voltage	11V .. 18V DC / 400mA DC @ +12V/DC (backlight off)
Current	950mA (backlight on) 70A capacity w/ internal mobile radios Anderson Power Pole™ connector included
Temp	-4° F to 158° F (-20° C to 70° C)

SIZE

Length	17 inches (431.8 mm)
Width	8 inches (203.2 mm)
Depth	16 inches (406.4 mm)
Weight	45 pounds (20.4 kg) (w/ Carrying Handle & 3 Radios)

RADIOS

Ports	8 radio ports, RJ-45 connector (Balanced Input / Output, COR, CTCSS & VOX). Opto-Isolated COR / CTCSS inputs.
-------	--

Internal Radios	Supports up to four integrated mobile radios (model specific) & integrate antenna triband coupled or individual antenna outputs.
-----------------	--

RATINGS

Environment	IP-66 on the Pelican 1440 case when closed.
Waterproof	Waterproof during storage & operation to 1 meter depth, Water resistant when open and operational.
Case	Housed in rugged waterproof, dust-proof, crushproof. Lifetime warranty on the case.

AUDIO CHARACTERISTICS

INPUT	
Level	150mV p-p .. 8V p-p, 96dB (16 bit digital conversion ADC)
Range	> 50K ohms, AC Coupled
Response	2Hz - 3.5 KHz (-3dB point).

OUTPUT	
Level	0V p-p .. 4.30V p-p, 96dB (16 bit ADC)
Range	600 ohms, AC Coupled
Response	15Hz - 3.5 KHz (-3dB Point), (600 Ohm Load).

DISPATCH

Speaker	2" x 3", 10 watts nominal, 15 watts max, speaker.
Microphone	Hand style front panel microphone included. Local Microphone included. Hand microphone included.

I/O CHARACTERISTICS

COR & CTCSS	
Inputs	0V - 48V, Optical Isolated w/ a 4.7K ohm load. Programmable active high/low condition
Access Modes	VOX (Activates on audio), COR, CTCSS, COR & CTCSS, COR or CTCSS.
PTT Output	0V - 200V, 2 Amp, Opto-Isolated FET (RJ-45).

AUDIO DELAY DESCRIPTION

Fixed Audio Delay	Each radio ports receiver supports a digital audio delay up to 5.0 sec., adjustable in 0.1 sec. increments.
-------------------	---

OPERATING MODES

Conventional, Trunked, Duplex	Half /Full duplex radios. Duplex repeater mode enables on-site repeater operation from a TCB-406 single radio port.
-------------------------------	---

DIGITAL CHARACTERISTICS

DSP Processor	100 MIPS floating point Analog Devices DSP radio card processor
Firmware	66 MIPS Motorola system control uProcessor.
Audio CODEC	16 Bit @ 16 KHz sample rate, 8 KHz input/output bandwidth.
Liquid Crystal Display (LCD)	320 x 240 Color TFT Graphical LCD w/integrated Touch Screen. LCD Backlight either ON, OFF or User Adjustable Timer
Touchpanel	Touchpanel is moisture & dust isolated from the front panel, yet operational through the front panel isolation membrane.
Ethernet Port RS-232	0/100 Ethernet port. Port up to 115 K baud. 1 Windows™ Remote Control Software GUI included.

Voice Over Internet Protocol (VoIP)	16 Bit @ 16 KHz PCM (TCB-406 to TCB-406 Connections & TCB-406 to Windows™ GUI Interface)
-------------------------------------	--

DATABASE DESCRIPTION

Radio Database	Radio database w/ set-up info. for up to 50 radio types. User selects type of radio connected to each radio port. Then, receiver & transmitter setting is automatically recalled for selected radio. No adjustments needed. Tech can edit radio's settings to match connected radio. If a radio isn't found in database, tech can develop own profiles using radio set-up utility.
----------------	--

OPTIONS AVAILABLE

Radio Cables	Most handheld / mobile radios are supported & more are added weekly. Custom cables available for most radios listed in radio database. Contact us for pricing & availability cables and radios not listed.
--------------	--